

Egypt - Port Said Tunnel Project (AC & OCI)

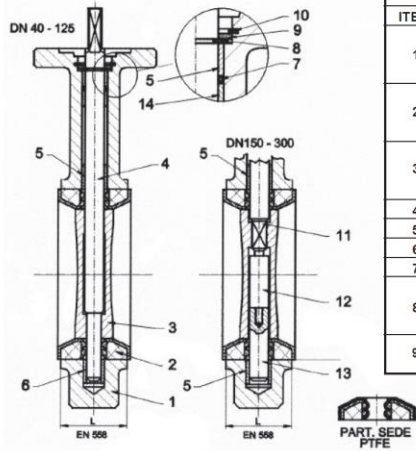
Supply of special valves and joint for civil application

Butterfly valves are 100% tight shut off and no leakage, they have low pressure loss and they are of simple installation and mounting, with easy repair / maintenance and long service life.

Dismantling joints are designed to connect valves to flanged ended pipes allowing an easy disconnection of valves during replacement or maintenance. They are designed for the delivery of potable water and liquids in general.

Clasar geeno style wafer type in Ductile Iron EN GJS 400-15. Check valve with inconel spring, seat in polyurethan min 150 micr. Halar coating The axial disc shall be polyurethane
DN 150 PN 16
DN 250 PN 16
CENTRIC WAFER BUTTERFLY VALVE PN16 WITH BODY AND DISC IN EN GJS400-15 OR SUPERIOR ACCORDING EN 1563, SHAFT IN STAINLESS STEEL AISI 316 EN 1.4401, SEAL ON BODY IN EPDM ,DISC IN DUCTILE IRON GJS400-15 WITH A HALAR COATING, DESIGN ANSI B16.5 CLASS 150, DRILLED TO EN 1092-2 PN16 / WITH LEVER AND LOCKING DEVICE / INTERNAL AND EXTERNAL EPOXY COATING 250 micron
DN 150 PN 16
DN 200 PN 16
DN 250 PN 16
DN 250 PN 16
with electric actuator "BERNARD AS18 . Protection Atex EEX Ed IIB T5 T100°C IP67-D Voltage 380V / 50Hz 3phase
GATE VALVE, RS, 1" NPT, 30 SER. (CL. 125,BRZ) code 3000501
Anti-surge combination air valve Mod. FOX 3F - RFP PN16 DN 1" Float Plastic Polypropylene / Sealing EPDM / Bonnet AISI 304 / Body Ductile Iron GIS450-10
Dismantling Joint with body in Ductile iron EN GJS 400, Seal gasket in rubber EPDM, Bolts/nuts/washers in 8.8 galvanized Carbon steel , Flanges conform to EN1092-1 PN 16 inside ebonite outside Epoxy coating min 200 mic Temperature up 55°C
DN 150 PN 16
DN 250 PN 16
SuResilient wedge gate valve with body and bonnet in EN GJS 500-7, encapsulated wedge in EPDM , Stem in St. st.420 EN 1.4021, Bolting 8.8 , Nut in Bronze BS 1400 LG2, FACE TO FACE: EN 558 Series 14 FLAT BODY.
DN 50 ANSI Class 150 Pn 10

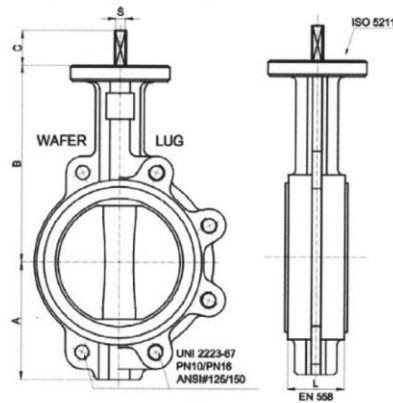
DN 40-300 PN 10/16 ANSI 125



FEATURES			
ITEM	DESCRIPTION	MATERIALS	COATINGS
1	Corpo / Body	Cast Iron GJL 250 / Ductile Iron GJS 400 -18	Epoxy / Rilsan
		AISI 304 EN 1.4301/AISI 316 EN 1.4401	-
		Alluminium Bronze AL-Bz 1982P32	-
2	Sede / Seat	EDPM/NBR	-
		Viton / Silicone	-
		PTFE/FPE	-
3	Disco / Disc	Cast Iron GJL 250 / Ductile Iron GJS 400 -18	Nichel / Rilsan / PTFE / FPE
		AISI 304 EN 1.4301/AISI 316 EN 1.4401	PTFE / FPE
		Alluminium Bronze AL-Bz 1982P32	-
4	Albero / Stem	AISI 416 EN 1.4029/AISI 316 EN 1.4401	
5	Boccola / Bushing	Bronze or Composite	
6	O - Ring	EPDM/NBR/Viton	
7	Spina / Pin	AISI 304 EN 1.4301/AISI 316 EN 1.4401	
8	Tappo / Plug	Cast Iron GJL 250 / Ductile Iron GJS 400 -18	Epoxy / Rilsan
		AISI 304 EN 1.4301/AISI 316 EN 1.4401	-
		Alluminium Bronze AL-Bz 1982P32	-
9	Bulloneria / Bolting	Acciaio / Carbon Steel	Zinc
		Inox / Stainless steel	-

Dimensioni / Dimensions (mm)						
ND	A	B	C	S	L	ISO5211
40	61	130	32	11	33	F05
50	82	161	32	11	43	F07
65	90	175	32	11	46	F07
80	96	181	32	11	46	F07
100	114	200	32	11	52	F07
125	133	213	32	14	56	F07
150	141	226	32	14	56	F07
200	174	260	32	17	60	F10
250	292	32	22	22	68	F10
300	241	337	32	22	78	F10

La ditta si riserva di apportare modifiche senza alcun preavviso.
 Our firm has the right to modify dimensions without any notice.



DN	PN 10			PN 16			Weight (Kg.)
	L. min	L. max	C (corsa)	L. min	L. max	C (corsa)	
80	140	200	60	140	200	60	19 - 19
100	150	210	60	150	210	60	24 - 24
125	170	240	70	170	240	70	29 - 29
150	180	250	70	180	250	70	37 - 37
200	210	280	70	210	280	70	48 - 54
250	230	300	70	230	300	70	65 - 79
300	230	300	70	230	300	70	76 - 101
350	230	300	70	240	310	70	105 - 139
400	230	300	70	240	310	70	141 - 178
500	240	310	70	240	310	70	193 - 296
600	270	340	70	270	340	70	263 - 423
700	270	340	70	270	340	70	316 - 427
800	270	340	70	270	340	70	416 - 545
900	270	340	70	270	340	70	426 - 617
1000	270	340	70	270	340	70	606 - 767
1200	270	340	70	270	340	70	799 - 1124
1400	270	340	70	270	340	70	1100 - 1310